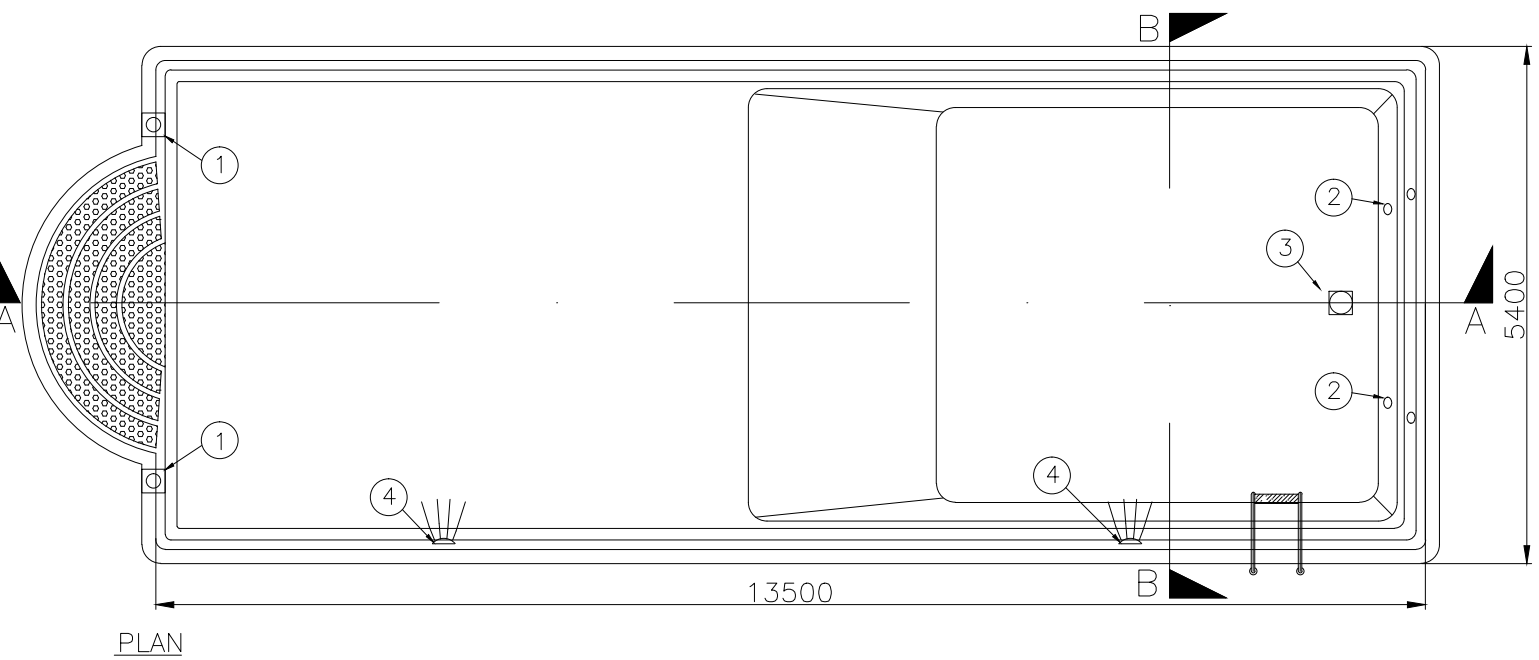


- LEGENDS**
- 1. SKIMMER.
 - 2. RETURN INLET NOZZLE.
 - 3. MAINDRAIN.
 - 4. UNDER WATER LIGHT.



REV.	REMARKS	DATE
Riviera Pool Industrial Investment Co. L.L.C. Riviera Pool Middle East P.O. Box 5048 Sharjah - U.A.E. Tel. 009716-5260555 - Fax 5260055		
PRELIMINARY		
CLIENT		
PROJECT		
RIVIERA 2000-12 13.5 x 5.50 M.		
TITLE		
PLAN AND SECTION		
<small>THIS DRAWING AND ITS CONTENTS ARE THE SOLE PROPERTY OF INDUSTRIAL INVESTMENT CO. RIVIERA POOL MIDDLE EAST L.L.C. THE WHOLE OR PART OF IT MAY NOT BE USED, REPRODUCED, COPIED OR GIVEN TO OTHERS WITHOUT PRIOR WRITTEN PERMISSION. ALL RIGHTS RESERVED.</small>		
DRAWN-T.J.K	SCALE- N.T.S	DRAWING No.
CHECKED BY :		SP-13.5-01/01
APPROVED BY:		0
DATE-13.05.06	ORDER	